

EDA 2234E* NU NSK 2234E* NJ 2234E* NUP bearing

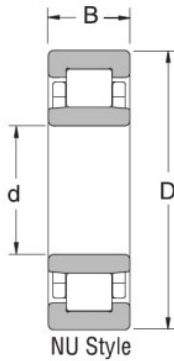
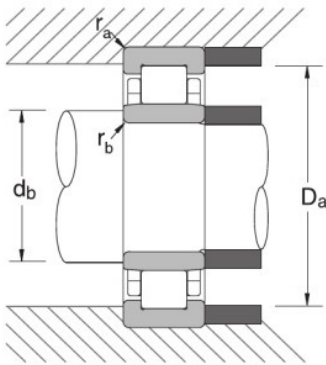
EDA 2234E* NU NSK 2234E* NJ 2234E* NUP bearing

Cylindrical Roller Bearing: 2200 Series

NU, NJ and NUP



Bearing Number	Available Styles	Boundary Dimensions					
		d	D	B	r _{min}	r _{1min}	F _w
		mm (in)	mm (in)	mm (in)	mm (in)	mm (in)	mm (in)
2234E*	NU NJ NUP	170 (6.6929)	310 (12.2047)	86 (3.3858)	4.0 (0.1575)	4.0 (0.1575)	205.0 (8.0709)



Common Options	
M	Machined Brass Cage
W	Pressed Steel Cage
ET	High Capacity Polyamide Cage
CO*	Normal Internal Clearance
C3	Greater than Normal Internal Clearance
E	Electric Motor Quality

*Not shown in part number

Bearing Number	Basic Load Ratings		Limiting Speeds (RPM)		Abutment and Fillet Dimensions							Bearing Weight (Approx.)
	C _r	C _{0r}	Grease	Oil	d _b (min)	d _b (max)	d _c (min)	d _c (max)	D _s (max)	r _a ** (max)	r _b ** (max)	
	N (lbs)	N (lbs)			mm (in)	mm (in)	mm (in)	mm (in)	mm (in)	mm (in)	mm (in)	
2234E*	1140000 (256000)	1330000 (299000)	1800	2200	186.0 (7.323)	200 (78.74)	211 (8.307)	223 (8.780)	294.0 (11.575)	3.0 (0.118)	3.0 (0.118)	29.9 (65.8)

Cylindrical Roller EDA 2234E* NU NSK 2234E* NJ 2234E* NUP bearing



FAG轴承



NSK轴承



TIMKEN轴承



IKO轴承



INA轴承



NTN轴承



THK轴承



NACHI轴承



KOYO轴承



ZWZ轴承

price |specifications| SPEC| sale| size| Weight| draw | Manufacturer ,supplier,distributor,in stock, dimensions |China /Chinese Cylindrical Roller EDA 2234E* NU NSK 2234E* NJ 2234E* NUP bearing
Cylindrical Roller EDA 2234E* NU NSK 2234E* NJ 2234E* NUP bearing skf FAG IKO NTN NACHI TIMKEN KOYO