

## EDA NSK 2230E\* NU 2230E\* NJ 2230E\* NUP bearing

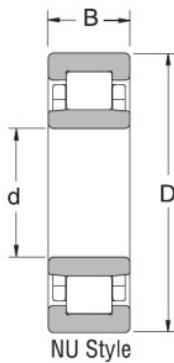
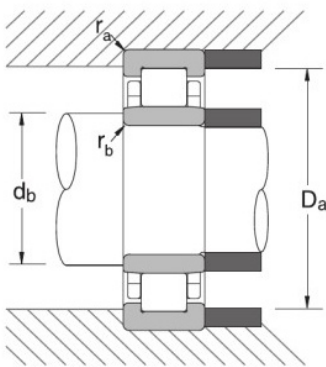
EDA NSK 2230E\* NU 2230E\* NJ 2230E\* NUP bearing

### Cylindrical Roller Bearing: 2200 Series

NU, NJ and NUP



| Bearing Number | Available Styles | Boundary Dimensions |                  |                |                  |                   |                   |
|----------------|------------------|---------------------|------------------|----------------|------------------|-------------------|-------------------|
|                |                  | d                   | D                | B              | r <sub>min</sub> | r <sub>imin</sub> | F <sub>w</sub>    |
|                |                  | mm (in)             | mm (in)          | mm (in)        | mm (in)          | mm (in)           | mm (in)           |
| 2230E*         | NU NJ NUP        | 150<br>(5.9055)     | 270<br>(10.6299) | 73<br>(2.8740) | 3.0<br>(0.1182)  | 3.0<br>(0.1182)   | 182.0<br>(7.1654) |



| Common Options |  |
|----------------|--|
| M              | Machined Brass Cage                    |
| W              | Pressed Steel Cage                     |
| ET             | High Capacity Polyamide Cage           |
| CO*            | Normal Internal Clearance              |
| C3             | Greater than Normal Internal Clearance |
| E              | Electric Motor Quality                 |

\*Not shown in part number

| Bearing Number | Basic Load Ratings |                    | Limiting Speeds (RPM) |      | Abutment and Fillet Dimensions |                      |                      |                      |                      |                         |                         | Bearing Weight (Approx.) |
|----------------|--------------------|--------------------|-----------------------|------|--------------------------------|----------------------|----------------------|----------------------|----------------------|-------------------------|-------------------------|--------------------------|
|                | C <sub>r</sub>     | C <sub>or</sub>    | Grease                | Oil  | d <sub>b</sub> (min)           | d <sub>b</sub> (max) | d <sub>c</sub> (min) | d <sub>d</sub> (max) | D <sub>s</sub> (max) | r <sub>a</sub> ** (max) | r <sub>b</sub> ** (max) |                          |
|                | N (lbs)            | N (lbs)            |                       |      | mm (in)                        | mm (in)              | mm (in)              | mm (in)              | mm (in)              | mm (in)                 | mm (in)                 |                          |
| 2230E*         | 780000<br>(175000) | 930000<br>(209000) | 2000                  | 2600 | 163.0<br>(6.417)               | 177<br>(6.969)       | 184<br>(7.244)       | 196<br>(7.717)       | 257.0<br>(10.118)    | 2.5<br>(0.098)          | 2.5<br>(0.098)          | 19.3<br>(42.5)           |

Cylindrical Roller EDA NSK 2230E\* NU 2230E\* NJ 2230E\* NUP bearing



FAG轴承



NSK轴承



TIMKEN轴承



IKO轴承



INA轴承



NTN轴承



THK轴承



NACHI轴承



KOYO轴承



ZWZ轴承

price |specifications| SPEC| sale| size| Weight| draw | Manufacturer ,supplier,distributor,in stock, dimensions |China /Chinese Cylindrical Roller EDA NSK 2230E\* NU 2230E\* NJ 2230E\* NUP bearing  
Cylindrical Roller EDA NSK 2230E\* NU 2230E\* NJ 2230E\* NUP bearing skf FAG IKO NTN NACHI TIMKEN KOYO